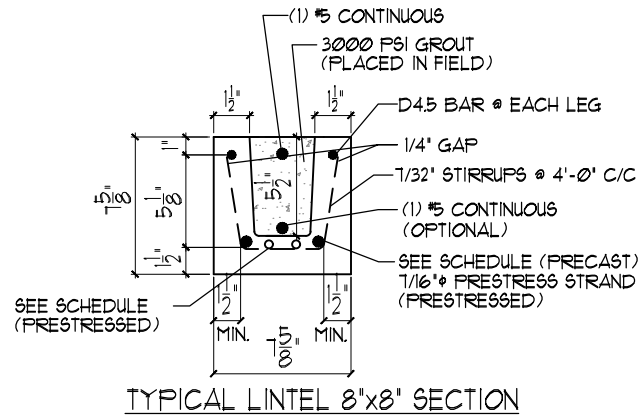
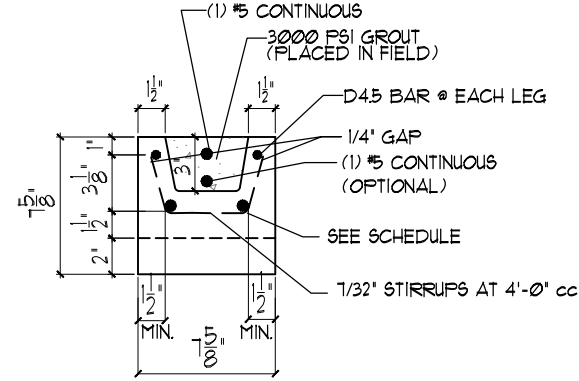


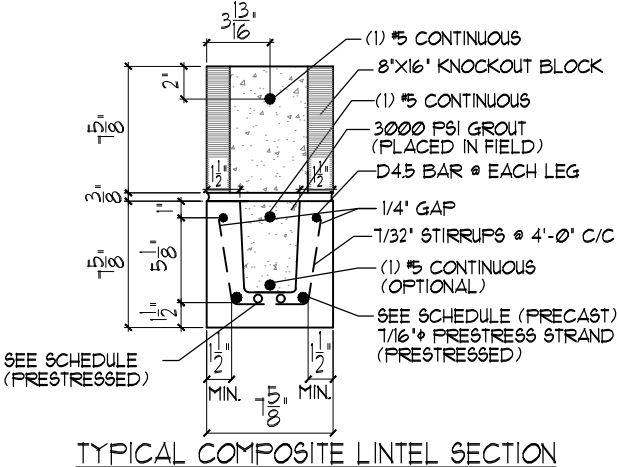
10/10/2023 7:21:45 PM, ANSI full bleed B (17.00 x 11.00 Inches)



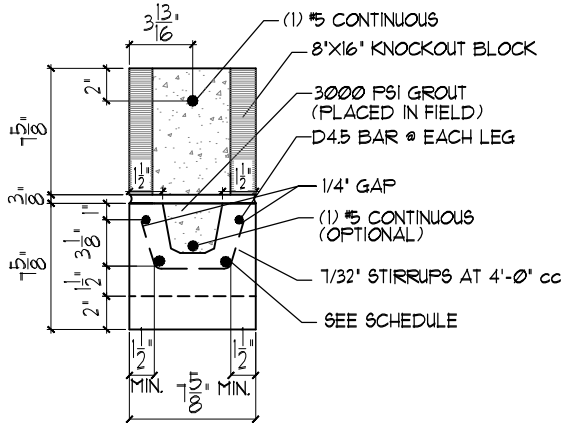
TYPICAL LINTEL 8'x8' SECTION



TYPICAL LINTEL 8'x8' RECESSED SECTION



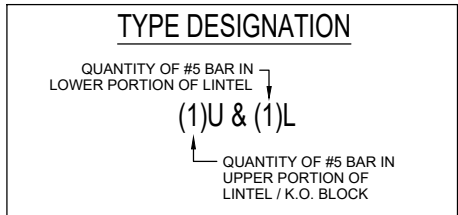
TYPICAL COMPOSITE LINTEL SECTION



TYPICAL COMPOSITE RECESS LINTEL SECTION

GENERAL NOTES:

- 1.) CODES
  - 1.1 FLORIDA BUILDING CODE 8th EDITION, 2023 RESIDENTIAL SECTIONS R402.2 & R606.
  - 1.2 FLORIDA BUILDING CODE, 8th EDITION, 2023 BUILDING SECTIONS 1901.2 & 2101.
  - 1.3 BUILDING CODE REQUIREMENTS FOR REINFORCED CONCRETE (ACI 318-19).
  - 1.4 BUILDING CODE REQUIREMENTS FOR MASONRY STRUCTURES (TMS 402-16).
  - 1.5 SPECIFICATIONS REQUIREMENTS FOR MASONRY STRUCTURES (TMS 602-16).
  - 1.6 AMERICAN SOCIETY OF CIVIL ENGINEERS MINIMUM DESIGN LOADS FOR BUILDINGS AND OTHER STRUCTURES (ASCE 7-22).
- 2.) CONCRETE:
  - 2.1 CONCRETE COMPRESSIVE STRENGTH AT 28 DAYS:
    - 2.1.1 PRE-CAST WITH STANDARD REINFORCEMENT - 4,000PSI
    - 2.1.2 PRE-CAST WITH PRESTRESS REINFORCEMENT - 6,000PSI
    - 2.1.3 GROUT PER ASTM C476 f'c=3,000PSI WITH MAXIMUM 3/8" AGGREGATE AND 8" TO 11" SLUMP.
  - 2.2 REINFORCING BARS:
    - 2.2.1 STEEL PLACED IN PRE-CAST LINTEL AT TIME OF FABRICATION ASTM A615 (GRADE 60).
    - 2.2.2 STEEL IN LINTEL AND KNOCKOUT BLOCK (PLACED IN FIELD) ASTM A615 (GRADE 40).
  - 2.3 PRESTRESS STANDS ASTM A416 7-WIRE, STRESS RELIEVED 270KSI.
  - 2.4 DETAIL REINFORCEMENT IN ACCORDANCE WITH ACI 318.
  - 2.5 CONCRETING OPERATIONS SHALL COMPLY WITH ACI STANDARDS.
- 3.) MASONRY:
  - 3.1 CONCRETE MASONRY UNITS (CMU) SHALL CONFORM TO ASTM C-90, NORMAL WEIGHT WITH MINIMUM NET AREA COMPRESSIVE STRENGTH 2,000PSI.
  - 3.2 MORTAR SHALL CONFORM TO ASTM C-270 TYPE 'M' OR 'S'.
  - 3.3 FULL MORTAR JOINTS ARE REQUIRED.
  - 3.4 MINIMUM AGGREGATE 28-DAY COMPRESSIVE STRENGTH OF CMU AND MORTAR SHALL NOT BE LESS THAN f'm = 2,000 PSI. MASONRY STRENGTH SHALL BE ESTABLISHED BY THE 'UNIT STRENGTH METHOD' OR, ALTERNATIVELY BY THE 'PRISM TEST METHOD' WHERE UNIT STRENGTH METHOD REQUIREMENTS HAVE NOT BEEN MET.
- 4.) STRUCTURAL:
  - 4.1 SAFE LOAD VALUES ARE BASED ON LINTELS HAVING A BEARING OF 8" (WITH A MINIMUM ACCEPTABLE BEARING OF 4" FOR FILLED LINTELS AND 6 1/2" FOR UNFILLED LINTELS IN DIRECTION OF SPAN PER TMS 402-16 SECTION 4.3.4).
  - 4.2 SAFE LOAD VALUES ARE BASED ON RATIONAL DESIGN ANALYSIS PER ACI 318 AND TMS 402.
  - 4.3 DESIGNER MAY EVALUATE CONCENTRATED LOADS FROM THE SAFE LOAD TABLES BY CALCULATING MAXIMUM RESISTING MOMENT AND SHEAR AT d DISTANCE AWAY FROM THE FACE OF THE SUPPORT.
  - 4.4 LINTELS THAT ARE GREATER THAN 14'-0" CLEAR SPAN MUST BE PROVIDED TEMPORARY SUPPORT AND NOT BE REMOVED UNTIL TWO (2) DAYS AFTER GROUT PLACEMENT.
  - 4.5 FOR LINTEL LENGTH AT 6'-6" OR GREATER, VERTICAL CELL FILLED SOLID WITH GROUT AND MINIMUM ONE (1) #5 VERTICAL REBAR IS REQUIRED AT EACH END OF THE LINTEL.
  - 4.6 FOR COMPOSITE LINTEL HEIGHTS NOT SHOWN, USE SAFE LOAD FROM NEXT LOWER HEIGHT SHOWN.



Samuel A. Greenberg, State of Florida, Professional Engineer, License No. 34245

This item has been X[ ] signed and sealed by Samuel A. Greenberg, PE on 10/19/2023 using a Digital Signature.

Printed copies of this document are not considered Signed and sealed and h Y G<5 Ui h Y b h W h j c b W t X Y must be j erified on any electronic copies.

 6423 RUBIA CIRCLE APOLLO BEACH - FLORIDA - 33512 PHONE - (813) 917 5241    SA@DANSKO.COM	GENERAL NOTES & DETAILS 8" LINTEL	
	 3855 N.E. 35th Street Ocala, FL 34479 PH. (352) 629-9788	
© 2023 THESE DRAWINGS AND DESIGNS ARE THE JOINT PROPERTY OF DANSKO ENGINEERING, P.A. AND THE CLIENT ON THIS PROJECT. ANY REPRODUCTION OR UNAUTHORIZED USE IS PROHIBITED.		SHT. NO. SK1 of 7

TABLE No. 1  
REINFORCING SCHEDULE & LOAD CAPACITIES  
SAFE WORKING LOAD (plf)  
8" x 8" PRECAST LINTELS

TOTAL LINTEL LENGTH	CLEAR SPAN	LINTEL TYPE	BOTTOM REINF.	TOP REINF.	GRAVITY SAFE LOAD			UPLIFT SAFE LOAD	
					PLAIN	(1)U & (0)L	(1)U & (1)L	(1)U & (0)L (1)U & (1)L	(2)U & (1)L
2'-10"	1'-6"	PRECAST	(2) #3	(2) D4.5	6087	8574	8574	9766	10000
3'-6"	2'-2"	PRECAST	(2) #3	(2) D4.5	2628	4109	4109	4860	4860
4'-0"	2'-8"	PRECAST	(2) #3	(2) D4.5	1838	2947	2947	3417	3417
4'-6"	3'-2"	PRECAST	(2) #3	(2) D4.5	1411	2294	2294	2630	2630
4'-8"	3'-4"	PRECAST	(2) #3	(2) D4.5	1309	2134	2134	2442	2442
5'-4"	4'-0"	PRECAST	(2) #3	(2) D4.5	1014	1669	1669	1896	1896
5'-10"	4'-6"	PRECAST	(2) #4	(2) D4.5	855	1477	1477	1622	1622
6'-4"	5'-0"	PRECAST	(2) #4	(2) D4.5	746	1292	1292	1393	1416
6'-6"	5'-2"	PRECAST	(2) #4	(2) D4.5	715	1240	1240	1312	1358
6'-8"	5'-4"	PRECAST	(2) #4	(2) D4.5	687	1192	1192	1238	1304
7'-6"	6'-2"	PRECAST	(2) #5	(2) D4.5	566	1013	1013	945	1089
7'-8"	6'-4"	PRECAST	(2) #5	(2) D4.5	547	980	980	899	1054
8'-0"	6'-8"	PRECAST	(2) #5	(2) D4.5	514	921	921	815	990
8'-4"	7'-0"	PRECAST	(2) #5	(2) D4.5	485	868	868	742	932
9'-4"	8'-0"	PRECAST	(2) #5	(2) D4.5	413	740	740	572	794
10'-6"	9'-2"	PRECAST	(2) #5	(2) D4.5	351	630	630	435	675
11'-4"	10'-0"	PRECAST	(2) #5	(2) D4.5	317	568	568	364	609
12'-0"	10'-8"	PRECAST	(2) #5	(2) D4.5	293	526	526	318	565
12'-6"	11'-2"	PRECAST	(2) #5	(2) D4.5	278	499	499	288	535
13'-4"	12'-0"	PRECAST	(2) #5	(2) D4.5	255	458	458	246	491
14'-0"	12'-8"	PRECAST	(2) #5	(2) D4.5	240	430	430	218	453

N.R.- NOT RECOMMENDED

TABLE No. 2  
REINFORCING SCHEDULE & LOAD CAPACITIES  
SAFE WORKING LOAD (plf)  
8" x 16" PRECAST LINTELS

TOTAL LINTEL LENGTH	CLEAR SPAN	LINTEL TYPE	BOTTOM REINF.	TOP REINF.	GRAVITY SAFE LOAD		UPLIFT SAFE LOAD	
					(1)U & (0)L	(1)U & (1)L	(1)U & (0)L (1)U & (1)L	(2)U & (1)L
2'-10"	1'-6"	PRECAST	(2) #3	(2) D4.5	10000*	10000*	10000*	10000*
3'-6"	2'-2"	PRECAST	(2) #3	(2) D4.5	7005*	7005*	7005*	7005*
4'-0"	2'-8"	PRECAST	(2) #3	(2) D4.5	10000	10000	10000	10000
4'-6"	3'-2"	PRECAST	(2) #3	(2) D4.5	8221	10000	7549	10000
4'-8"	3'-4"	PRECAST	(2) #3	(2) D4.5	7544	10000	6927	10000
5'-4"	4'-0"	PRECAST	(2) #3	(2) D4.5	5523	6496	5070	7112
5'-10"	4'-6"	PRECAST	(2) #4	(2) D4.5	5155	5155	4123	5478
6'-4"	5'-0"	PRECAST	(2) #4	(2) D4.5	4210	4210	3415	4449
6'-6"	5'-2"	PRECAST	(2) #4	(2) D4.5	3967	3967	3218	4186
6'-8"	5'-4"	PRECAST	(2) #4	(2) D4.5	3750	3750	3038	3952
7'-6"	6'-2"	PRECAST	(2) #5	(2) D4.5	2964	2964	2325	3084
7'-8"	6'-4"	PRECAST	(2) #5	(2) D4.5	2840	2840	2213	2953
8'-0"	6'-8"	PRECAST	(2) #5	(2) D4.5	2620	2620	2010	2722
8'-4"	7'-0"	PRECAST	(2) #5	(2) D4.5	2431	2431	1832	2524
9'-4"	8'-0"	PRECAST	(2) #5	(2) D4.5	1996	1996	1418	2068
10'-6"	9'-2"	PRECAST	(2) #5	(2) D4.5	1647	1647	1085	1704
11'-4"	10'-0"	PRECAST	(2) #5	(2) D4.5	1462	1462	911	1512
12'-0"	10'-8"	PRECAST	(2) #5	(2) D4.5	1341	1341	799	1385
12'-6"	11'-2"	PRECAST	(2) #5	(2) D4.5	1261	1261	727	1303
13'-4"	12'-0"	PRECAST	(2) #5	(2) D4.5	1147	1147	625	1185
14'-0"	12'-8"	PRECAST	(2) #5	(2) D4.5	1069	1069	557	1104

N.R.- NOT RECOMMENDED

\* LINTEL MEETS DEEP BEAM CRITERIA

Samuel A. Greenberg, State of Florida, Professional Engineer,  
License No. 34245

This item has been X[[ ] signed and sealed by  
Samuel A. Greenberg, PE on 10/19/2023 using a Digital  
Signature.

Printed copies of this document are not considered Signed  
and sealed and h Y 'G<5 'Ui h Y b h W h c b W c X Y ' must be  
j erified on any electronic copies.



 6423 RUBIA CIRCLE APOLLO BEACH - FLORIDA - 33512 PHONE - (813) 917 1524    SA@DANSCO.COM	8" x 8" AND 8" x 16" PRECAST LINTEL TABLES	
	 3855 N.E. 35th Street Ocala, FL 34479 PH. (352) 629-9788	
© 2023 THESE DRAWINGS AND DESIGNS ARE THE JOINT PROPERTY OF DANSCO ENGINEERING, P.A. AND THE CLIENT ON THIS PROJECT. ANY REPRODUCTION OR UNAUTHORIZED USE IS PROHIBITED.	<input type="checkbox"/> SAMUEL A. GREENBERG, P.E. #34245	SHT. NO. <b>SK2</b> of 7

10/10/2023 7:21:46 PM, ANSI full bleed B (17.00 x 11.00 Inches)

TABLE No. 3  
REINFORCING SCHEDULE & LOAD CAPACITIES  
SAFE WORKING LOADS (PLF)  
8" x 20" LINTELS

TOTAL LINTEL LENGTH	CLEAR SPAN	LINTEL TYPE	BOTTOM REINF.	TOP REINF.	GRAVITY SAFE LOAD		UPLIFT SAFE LOAD	
					(1) & (0)L	(1) & (1)L	(1) & (0)L (1) & (1)L	(2) & (1)L
2'-10"	1'-6"	PRECAST	(2) #3	(2) D4.5	10000*	10000*	10000*	10000*
3'-6"	2'-2"	PRECAST	(2) #3	(2) D4.5	8479*	8479*	8479*	8479*
4'-0"	2'-8"	PRECAST	(2) #3	(2) D4.5	6487*	6487*	6487*	6487*
4'-6"	3'-2"	PRECAST	(2) #3	(2) D4.5	10000	10000	9780	10000
4'-8"	3'-4"	PRECAST	(2) #3	(2) D4.5	9756	10000	8975	10000
5'-4"	4'-0"	PRECAST	(2) #3	(2) D4.5	7145	10000	6571	10000
5'-10"	4'-6"	PRECAST	(2) #4	(2) D4.5	8970	8970	5345	9587
6'-4"	5'-0"	PRECAST	(2) #4	(2) D4.5	6812	6812	4429	7206
6'-6"	5'-2"	PRECAST	(2) #4	(2) D4.5	6304	6304	4175	6653
6'-8"	5'-4"	PRECAST	(2) #4	(2) D4.5	5867	5867	3941	6178
7'-6"	6'-2"	PRECAST	(2) #5	(2) D4.5	4381	4381	3018	4546
7'-8"	6'-4"	PRECAST	(2) #5	(2) D4.5	4163	4163	2872	4316
8'-0"	6'-8"	PRECAST	(2) #5	(2) D4.5	3786	3786	2610	3919
8'-4"	7'-0"	PRECAST	(2) #5	(2) D4.5	3470	3470	2380	3588
9'-4"	8'-0"	PRECAST	(2) #5	(2) D4.5	2771	2771	1844	2858
10'-6"	9'-2"	PRECAST	(2) #5	(2) D4.5	2238	2238	1413	2303
11'-4"	10'-0"	PRECAST	(2) #5	(2) D4.5	1965	1965	1188	2020
12'-0"	10'-8"	PRECAST	(2) #5	(2) D4.5	1788	1788	1042	1838
12'-6"	11'-2"	PRECAST	(2) #5	(2) D4.5	1675	1675	949	1720
13'-4"	12'-0"	PRECAST	(2) #5	(2) D4.5	1513	1513	817	1554
14'-0"	12'-8"	PRECAST	(2) #5	(2) D4.5	1404	1404	729	1441

N.R.- NOT RECOMMENDED NOTE #: (1) #4 MIN. REQUIRED FOR DEEP BEAM ONLY  
\* LINTEL MEETS DEEP BEAM CRITERIA

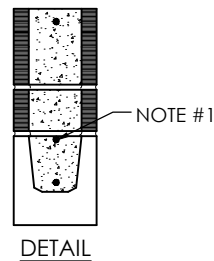
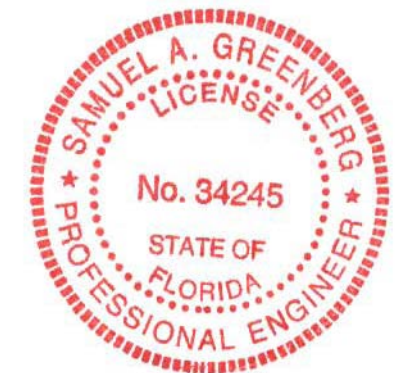
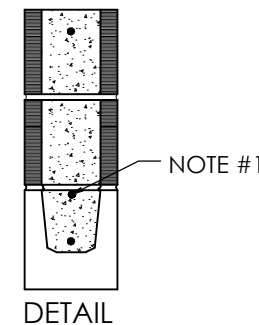


TABLE No. 4  
REINFORCING SCHEDULE & LOAD CAPACITIES  
SAFE WORKING LOADS (PLF)  
8" x 24" LINTELS

TOTAL LINTEL LENGTH	CLEAR SPAN	LINTEL TYPE	BOTTOM REINF.	TOP REINF.	GRAVITY SAFE LOAD		UPLIFT SAFE LOAD	
					(1) & (0)L	(1) & (1)L	(1) & (0)L (1) & (1)L	(2) & (1)L
2'-10"	1'-6"	PRECAST	(2) #3	(2) D4.5	10000*	10000*	10000*	10000*
3'-6"	2'-2"	PRECAST	(2) #3	(2) D4.5	9952*	9952*	9952*	9952*
4'-0"	2'-8"	PRECAST	(2) #3	(2) D4.5	7689*	7689*	7689*	7689*
4'-6"	3'-2"	PRECAST	(2) #3	(2) D4.5	6237*	6237*	6237*	6237*
4'-8"	3'-4"	PRECAST	(2) #3	(2) D4.5	5897*	5897*	5897*	5897*
5'-4"	4'-0"	PRECAST	(2) #3	(2) D4.5	8769	10000	8074	10000
5'-10"	4'-6"	PRECAST	(2) #4	(2) D4.5	10000	10000	6569	10000
6'-4"	5'-0"	PRECAST	(2) #4	(2) D4.5	10000	10000	5444	10000
6'-6"	5'-2"	PRECAST	(2) #4	(2) D4.5	9835	10000	5131	10000
6'-8"	5'-4"	PRECAST	(2) #4	(2) D4.5	9574	9574	4845	9641
7'-6"	6'-2"	PRECAST	(2) #5	(2) D4.5	6523	6523	3712	6773
7'-8"	6'-4"	PRECAST	(2) #5	(2) D4.5	6122	6122	3533	6348
8'-0"	6'-8"	PRECAST	(2) #5	(2) D4.5	5450	5450	3210	5640
8'-4"	7'-0"	PRECAST	(2) #5	(2) D4.5	4909	4909	2929	5070
9'-4"	8'-0"	PRECAST	(2) #5	(2) D4.5	3776	3776	2270	3886
10'-6"	9'-2"	PRECAST	(2) #5	(2) D4.5	2966	2966	1741	3045
11'-4"	10'-0"	PRECAST	(2) #5	(2) D4.5	2568	2568	1465	2633
12'-0"	10'-8"	PRECAST	(2) #5	(2) D4.5	2317	2317	1286	2374
12'-6"	11'-2"	PRECAST	(2) #5	(2) D4.5	2158	2158	1171	2210
13'-4"	12'-0"	PRECAST	(2) #5	(2) D4.5	1934	1934	1009	1980
14'-0"	12'-8"	PRECAST	(2) #5	(2) D4.5	1785	1785	901	1826

N.R.- NOT RECOMMENDED NOTE #: (1) #4 MIN. REQUIRED FOR DEEP BEAM ONLY  
\* LINTEL MEETS DEEP BEAM CRITERIA



Samuel A. Greenberg, State of Florida, Professional Engineer,  
License No. 34245

This item has been X[ ] signed and sealed by  
Samuel A. Greenberg, PE on 10/19/2023 using a Digital  
Signature.

Printed copies of this document are not considered Signed  
and sealed and h Y 'G< 5 'Ui h Y b h W h c b W c X Y ' must be  
j erified on any electronic copies.

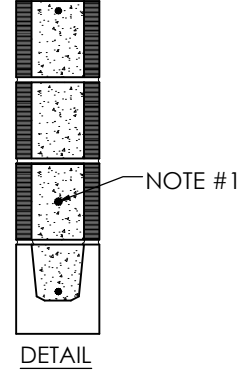
 6423 RUBIA CIRCLE APOLLO BEACH - FLORIDA - 33512 PHONE - (813) 911 1524    SA@DANSKO.COM	8" x 20" AND 8" x 24" PRECAST LINTEL TABLES	
	 3855 N.E. 35th Street Ocala, FL 34479 PH. (352) 629-9788	
© 2023 THESE DRAWINGS AND DESIGNS ARE THE JOINT PROPERTY OF DANSKO ENGINEERING, P.A. AND THE CLIENT ON THIS PROJECT. ANY REPRODUCTION OR UNAUTHORIZED USE IS PROHIBITED.	<input type="checkbox"/> SAMUEL A. GREENBERG, P.E. #34245	SHT. NO. <b>SK3</b> of 7

10/10/2023 7:21:46 PM, ANSI full bleed B (17.00 x 11.00 Inches)

TABLE No. 5  
 REINFORCING SCHEDULE & LOAD CAPACITIES  
 SAFE WORKING LOADS (PLF)  
 8" x 32" LINTELS

TOTAL LINTEL LENGTH	CLEAR SPAN	LINTEL TYPE	BOTTOM REINF.	TOP REINF.	GRAVITY SAFE LOAD		UPLIFT SAFE LOAD	
					(1) # (Ø)L	(1) # (1)L	(1) # (Ø)L (1) # (1)L	(2) # (1)L
2'-10"	1'-6"	PRECAST	(2) D4.5	(2) D4.5	10000*	10000*	10000*	10000*
3'-6"	2'-2"	PRECAST	(2) #3	(2) D4.5	10000*	10000*	10000*	10000*
4'-0"	2'-8"	PRECAST	(2) #3	(2) D4.5	10000*	10000*	10000*	10000*
4'-6"	3'-2"	PRECAST	(2) #3	(2) D4.5	8234*	8234*	8234*	8234*
4'-8"	3'-4"	PRECAST	(2) #3	(2) D4.5	7774*	7774*	7774*	7774*
5'-4"	4'-0"	PRECAST	(2) #3	(2) D4.5	6400*	6400*	6400*	6400*
5'-10"	4'-6"	PRECAST	(2) #4	(2) D4.5	5750*	5750*	5750*	5750*
6'-4"	5'-0"	PRECAST	(2) #4	(2) D4.5	10000	10000	7476	10000
6'-6"	5'-2"	PRECAST	(2) #4	(2) D4.5	10000	10000	7048	10000
6'-8"	5'-4"	PRECAST	(2) #4	(2) D4.5	10000	10000	6655	10000
7'-6"	6'-2"	PRECAST	(2) #5	(2) D4.5	10000	10000	5101	10000
7'-8"	6'-4"	PRECAST	(2) #5	(2) D4.5	10000	10000	4856	9723
8'-0"	6'-8"	PRECAST	(2) #5	(2) D4.5	10000	10000	4413	8878
8'-4"	7'-0"	PRECAST	(2) #5	(2) D4.5	10000	10000	4027	8084
9'-4"	8'-0"	PRECAST	(2) #5	(2) D4.5	7085	7085	3124	6298
10'-6"	9'-2"	PRECAST	(2) #5	(2) D4.5	5107	5107	2398	4864
11'-4"	10'-0"	PRECAST	(2) #5	(2) D4.5	4250	4250	2019	4115
12'-0"	10'-8"	PRECAST	(2) #5	(2) D4.5	3743	3743	1774	3630
12'-6"	11'-2"	PRECAST	(2) #5	(2) D4.5	3433	3433	1617	3320
13'-4"	12'-0"	PRECAST	(2) #5	(2) D4.5	3014	3014	1395	2881
14'-0"	12'-8"	PRECAST	(2) #5	(2) D4.5	2745	2745	1247	2588

N.R.- NOT RECOMMENDED  
 \* LINTEL MEETS DEEP BEAM CRITERIA  
 NOTE #1: (1) #4 MIN. REQUIRED FOR DEEP BEAM ONLY



Samuel A. Greenberg, State of Florida, Professional Engineer  
 License No. 34245  
 This item has been X] ]U`msigned and sealed by  
 Samuel A. Greenberg, PE on 10/19/2023 using a Digital  
 Signature.  
 Printed copies of this document are not considered Signed  
 and sealed and h.Y `G-5 `Ui h.Y bh]WU]c b `Wc XY ` must be  
 j erified on any electronic copies.



<b>DE DANSCO</b> ENGINEERING, P.A. <small>6423 RUBIA CIRCLE          APOLLO BEACH - FLORIDA - 33512          PHONE - (813) 917 1524    SA@DANSCO.COM</small>	8" x 32" PRECAST LINTEL TABLE	
	<i>Marion Masonry Materials of Ocala, LLC</i>  <small>3855 N.E. 35th Street          Ocala, FL 34479          PH. (352) 629-9788</small>	
<small>© 2023 THESE DRAWINGS AND DESIGNS ARE THE          JOINT PROPERTY OF DANSCO ENGINEERING, P.A. AND          THE CLIENT ON THIS PROJECT. ANY REPRODUCTION OR          UNAUTHORIZED USE IS PROHIBITED.</small>	<input type="checkbox"/> SAMUEL A. GREENBERG, P.E. #34245	SHT. NO. <b>SK4</b> of 7

10/10/2023 7:21:47 PM, ANSI full bleed B (17.00 x 11.00 Inches)

TABLE No. 6  
REINFORCING SCHEDULE & LOAD CAPACITIES  
SAFE WORKING LOADS (PLF)  
8" x 8" PRESTRESSED LINTELS

TOTAL LINTEL LENGTH	CLEAR SPAN	LINTEL TYPE	BOTTOM REINF.	GRAVITY SAFE LOAD		UPLIFT SAFE LOAD	
				(1)X & (0)L	(1)X & (1)L	(1)X & (0)L (1)X & (1)L	(2)X & (1)L
14'-8"	13'-4"	Prestressed	(2) 7/16"φ STRAND & (2) #5	418	418	230	446
15'-4"	14'-0"	Prestressed	(2) 7/16"φ STRAND & (2) #5	379	379	210	407
17'-4"	16'-0"	Prestressed	(2) 7/16"φ STRAND & (2) #5	288	288	163	317
19'-4"	18'-0"	Prestressed	(2) 7/16"φ STRAND & (2) #5	224	224	131	254
20'-0"	18'-8"	Prestressed	(2) 7/16"φ STRAND & (2) #5	207	207	122	237
21'-4"	20'-0"	Prestressed	(2) 7/16"φ STRAND & (2) #5	177	177	107	208
22'-0"	20'-8"	Prestressed	(2) 7/16"φ STRAND & (2) #5	164	164	100	195
24'-0"	22'-8"	Prestressed	(2) 7/16"φ STRAND & (2) #5	132	132	84	163

N.R.- NOT RECOMMENDED

TABLE No. 8  
REINFORCING SCHEDULE & LOAD CAPACITIES  
SAFE WORKING LOADS (PLF)  
8" x 20" PRESTRESSED LINTELS

TOTAL LINTEL LENGTH	CLEAR SPAN	LINTEL TYPE	BOTTOM REINF.	GRAVITY SAFE LOAD		UPLIFT SAFE LOAD	
				(1)X & (0)L	(1)X & (1)L	(1)X & (0)L (1)X & (1)L	(2)X & (1)L
14'-8"	13'-4"	Prestressed	(2) 7/16"φ STRAND & (2) #5	1893	1893	587	1137
15'-4"	14'-0"	Prestressed	(2) 7/16"φ STRAND & (2) #5	1724	1724	536	1058
17'-4"	16'-0"	Prestressed	(2) 7/16"φ STRAND & (2) #5	1330	1330	417	824
19'-4"	18'-0"	Prestressed	(2) 7/16"φ STRAND & (2) #5	1053	1053	334	659
20'-0"	18'-8"	Prestressed	(2) 7/16"φ STRAND & (2) #5	979	979	312	615
21'-4"	20'-0"	Prestressed	(2) 7/16"φ STRAND & (2) #5	852	852	273	540
22'-0"	20'-8"	Prestressed	(2) 7/16"φ STRAND & (2) #5	797	797	257	507
24'-0"	22'-8"	Prestressed	(2) 7/16"φ STRAND & (2) #5	659	659	215	425

N.R.- NOT RECOMMENDED

TABLE No. 10  
REINFORCING SCHEDULE & LOAD CAPACITIES  
SAFE WORKING LOADS (PLF)  
8" x 32" PRESTRESSED LINTELS

TOTAL LINTEL LENGTH	CLEAR SPAN	LINTEL TYPE	BOTTOM REINF.	GRAVITY SAFE LOAD		UPLIFT SAFE LOAD	
				(1)X & (0)L	(1)X & (1)L	(1)X & (0)L (1)X & (1)L	(2)X & (1)L
14'-8"	13'-4"	Prestressed	(2) 7/16"φ STRAND & (2) #5	3231	3231	749	1484
15'-4"	14'-0"	Prestressed	(2) 7/16"φ STRAND & (2) #5	2945	2945	683	1355
17'-4"	16'-0"	Prestressed	(2) 7/16"φ STRAND & (2) #5	2280	2280	532	1055
19'-4"	18'-0"	Prestressed	(2) 7/16"φ STRAND & (2) #5	1813	1813	426	844
20'-0"	18'-8"	Prestressed	(2) 7/16"φ STRAND & (2) #5	1688	1688	397	788
21'-4"	20'-0"	Prestressed	(2) 7/16"φ STRAND & (2) #5	1473	1473	348	691
22'-0"	20'-8"	Prestressed	(2) 7/16"φ STRAND & (2) #5	1380	1380	327	649
24'-0"	22'-8"	Prestressed	(2) 7/16"φ STRAND & (2) #5	1147	1147	274	544

N.R.- NOT RECOMMENDED

TABLE No. 7  
REINFORCING SCHEDULE & LOAD CAPACITIES  
SAFE WORKING LOADS (PLF)  
8" x 16" PRESTRESSED LINTELS

TOTAL LINTEL LENGTH	CLEAR SPAN	LINTEL TYPE	BOTTOM REINF.	GRAVITY SAFE LOAD		UPLIFT SAFE LOAD	
				(1)X & (0)L	(1)X & (1)L	(1)X & (0)L (1)X & (1)L	(2)X & (1)L
14'-8"	13'-4"	Prestressed	(2) 7/16"φ STRAND & (2) #5	1299	1299	456	893
15'-4"	14'-0"	Prestressed	(2) 7/16"φ STRAND & (2) #5	1182	1182	417	820
17'-4"	16'-0"	Prestressed	(2) 7/16"φ STRAND & (2) #5	910	910	324	639
19'-4"	18'-0"	Prestressed	(2) 7/16"φ STRAND & (2) #5	719	719	259	511
20'-0"	18'-8"	Prestressed	(2) 7/16"φ STRAND & (2) #5	668	668	242	477
21'-4"	20'-0"	Prestressed	(2) 7/16"φ STRAND & (2) #5	580	580	212	418
22'-0"	20'-8"	Prestressed	(2) 7/16"φ STRAND & (2) #5	542	542	199	393
24'-0"	22'-8"	Prestressed	(2) 7/16"φ STRAND & (2) #5	446	446	167	329

N.R.- NOT RECOMMENDED

TABLE No. 9  
REINFORCING SCHEDULE & LOAD CAPACITIES  
SAFE WORKING LOADS (PLF)  
8" x 24" PRESTRESSED LINTELS

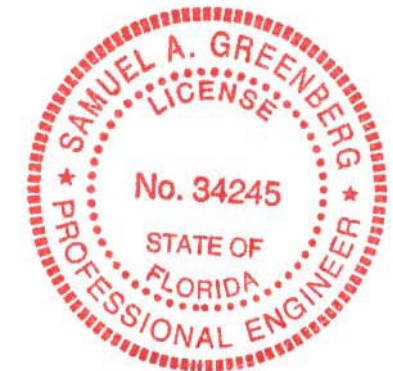
TOTAL LINTEL LENGTH	CLEAR SPAN	LINTEL TYPE	BOTTOM REINF.	GRAVITY SAFE LOAD		UPLIFT SAFE LOAD	
				(1)X & (0)L	(1)X & (1)L	(1)X & (0)L (1)X & (1)L	(2)X & (1)L
14'-8"	13'-4"	Prestressed	(2) 7/16"φ STRAND & (2) #5	2345	2345	653	1283
15'-4"	14'-0"	Prestressed	(2) 7/16"φ STRAND & (2) #5	2136	2136	596	1179
17'-4"	16'-0"	Prestressed	(2) 7/16"φ STRAND & (2) #5	1650	1650	464	918
19'-4"	18'-0"	Prestressed	(2) 7/16"φ STRAND & (2) #5	1310	1310	371	735
20'-0"	18'-8"	Prestressed	(2) 7/16"φ STRAND & (2) #5	1219	1219	347	686
21'-4"	20'-0"	Prestressed	(2) 7/16"φ STRAND & (2) #5	1062	1062	304	601
22'-0"	20'-8"	Prestressed	(2) 7/16"φ STRAND & (2) #5	994	994	285	565
24'-0"	22'-8"	Prestressed	(2) 7/16"φ STRAND & (2) #5	824	824	239	473

N.R.- NOT RECOMMENDED

Samuel A. Greenberg, State of Florida, Professional Engineer,  
License No. 34245

This item has been X[[ ]U`msigned and sealed by  
Samuel A. Greenberg, PE on 10/19/2023 using a Digital  
Signature.

Printed copies of this document are not considered Signed  
and sealed and h\Y`G<5`Ui h\Ybh\WJhc b`WcXY` must be  
j erified on any electronic copies.



 6423 RUBIA CIRCLE APOLLO BEACH - FLORIDA - 33512 PHONE - (813) 917 5241    SA@DANSCO.COM	8" x 8", 8" x 16", 8" x 20", 8" x 24" AND 8" x 32" PRESTRESSED LINTEL TABLES	
	 3855 N.E. 35th Street Ocala, FL 34479 PH. (352) 629-9788	
© 2023 THESE DRAWINGS AND DESIGNS ARE THE JOINT PROPERTY OF DANSCO ENGINEERING, P.A. AND THE CLIENT ON THIS PROJECT. ANY REPRODUCTION OR UNAUTHORIZED USE IS PROHIBITED.		<input type="checkbox"/> SAMUEL A. GREENBERG, P.E. #34245
		SHT. NO. <b>SK5</b> of 7

10/10/2023 7:21:47 PM, ANSI full bleed B (17.00 x 11.00 Inches)

TABLE No. 11  
 REINFORCING SCHEDULE & LOAD CAPACITIES  
 SAFE WORKING LOADS (PLF)  
 8" x 6" RECESS PRECAST LINTELS

TOTAL LINTEL LENGTH	CLEAR SPAN	LINTEL TYPE	BOTTOM REINF.	GRAVITY SAFE LOAD		UPLIFT SAFE LOAD	
				(1) # (Ø)L	(1) # (1)L	(1) # (Ø)L (1) # (1)L	(2) # (1)L
4'-0"	2'-8"	Precast	(2) #3	1962	1546	1879	1879
4'-4"	3'-0"	Precast	(2) #3	1679	1332	1610	1610
4'-8"	3'-4"	Precast	(2) #3	1466	1169	1407	1407
5'-8"	4'-4"	Precast	(2) #4	1039	891	1019	1019
6'-8"	5'-4"	Precast	(2) #4	811	698	789	795
7'-8"	6'-4"	Precast	(2) #5	650	585	571	650
9'-8"	8'-4"	Precast	(2) #5	473	426	334	474

N.R.- NOT RECOMMENDED

TABLE No. 12  
 REINFORCING SCHEDULE & LOAD CAPACITIES  
 SAFE WORKING LOADS (PLF)  
 8" x 14" RECESS PRECAST LINTELS

TOTAL LINTEL LENGTH	CLEAR SPAN	LINTEL TYPE	BOTTOM REINF.	GRAVITY SAFE LOAD		UPLIFT SAFE LOAD	
				(1) # (Ø)L	(1) # (1)L	(1) # (Ø)L (1) # (1)L	(2) # (1)L
4'-0"	2'-8"	Precast	(2) #3	9287	10000	8519	10000
4'-4"	3'-0"	Precast	(2) #3	7664	8487	7030	9654
4'-8"	3'-4"	Precast	(2) #3	6430	6526	5897	7280
5'-8"	4'-4"	Precast	(2) #4	4217	3918	3752	4176
6'-8"	5'-4"	Precast	(2) #4	2941	2758	2587	2916
7'-8"	6'-4"	Precast	(2) #5	2234	2141	1884	2234
9'-8"	8'-4"	Precast	(2) #5	1513	1455	1116	1513

N.R.- NOT RECOMMENDED



Samuel A. Greenberg, State of Florida, Professional Engineer,  
 License No. 34245

This item has been X[ ] signed and sealed by  
 Samuel A. Greenberg, PE on 10/19/2023 using a Digital  
 Signature.

Printed copies of this document are not considered Signed  
 and sealed and h Y G<5 'Ui h Y b h W U h c b ' W c X Y ' must be  
 j erified on any electronic copies.

 6423 RUBIA CIRCLE APOLLO BEACH - FLORIDA - 33512 PHONE - (813) 917 1524    SA@DANSCO.COM	8" x 6" AND 8" x 14" RECESS PRECAST LINTEL TABLES	
	 3855 N.E. 35th Street Ocala, FL 34479 PH. (352) 629-9788	
© 2023 THESE DRAWINGS AND DESIGNS ARE THE JOINT PROPERTY OF DANSCO ENGINEERING, P.A. AND THE CLIENT ON THIS PROJECT. ANY REPRODUCTION OR UNAUTHORIZED USE IS PROHIBITED.	<input type="checkbox"/> SAMUEL A. GREENBERG, P.E. #34245	SHT. NO. SK6 of 7

TABLE No. 13  
SAFE WORKING LATERAL LOADS (PLF)  
8" x 8" LINTELS

LINTEL		SAFE LATERAL LOADS (PLF)		LINTEL		SAFE LATERAL LOADS (PLF)	
Total Length	Type	8"x8" PLAIN	8"x8" SOLID	Total Length	Type	8"x8" PLAIN	8"x8" SOLID
2'-10"	Precast	1863	9813	10'-6"	Precast	154	692
3'-6"	Precast	1185	4641	11'-4"	Precast	122	629
4'-0"	Precast	931	3326	12'-0"	Precast	103	586
4'-6"	Precast	767	2592	12'-6"	Precast	91	558
4'-8"	Precast	724	2414	13'-4"	Precast	75	503
5'-4"	Precast	593	1895	14'-0"	Precast	65	454
5'-10"	Precast	504	1608	14'-8"	Prestressed	N.R.	417
6'-4"	Precast	450	1412	15'-4"	Prestressed	N.R.	369
6'-6"	Precast	435	1357	17'-4"	Prestressed	N.R.	257
6'-8"	Precast	420	1306	19'-4"	Prestressed	N.R.	184
7'-6"	Precast	348	1085	20'-0"	Prestressed	N.R.	167
7'-8"	Precast	338	1052	21'-4"	Prestressed	N.R.	139
8'-0"	Precast	321	991	22'-0"	Prestressed	N.R.	127
8'-4"	Precast	305	937	24'-0"	Prestressed	N.R.	100
9'-4"	Precast	222	806				

N.R.- NOT RECOMMENDED



Samuel A. Greenberg, State of Florida, Professional Engineer,  
License No. 34245

This item has been X[[ ] signed and sealed by  
Samuel A. Greenberg, PE on 10/19/2023 using a Digital  
Signature.

Printed copies of this document are not considered Signed  
and sealed and h Y 'G<5 'Ui h Y b h W h c b ' W c X Y ' must be  
j erified on any electronic copies.

 6423 RUBIA CIRCLE APOLLO BEACH - FLORIDA - 33512 PHONE - (813) 917 1524    SA@DANSCO.COM	8" x 8" PRECAST/PRESTRESSED LINTEL TABLE	
	 3855 N.E. 35th Street Ocala, FL 34479 PH. (352) 629-9788	
© 2023 THESE DRAWINGS AND DESIGNS ARE THE JOINT PROPERTY OF DANSCO ENGINEERING, P.A. AND THE CLIENT ON THIS PROJECT. ANY REPRODUCTION OR UNAUTHORIZED USE IS PROHIBITED.	<input type="checkbox"/> SAMUEL A. GREENBERG, P.E. #34245	SHT. NO. <b>SK7</b> of 7